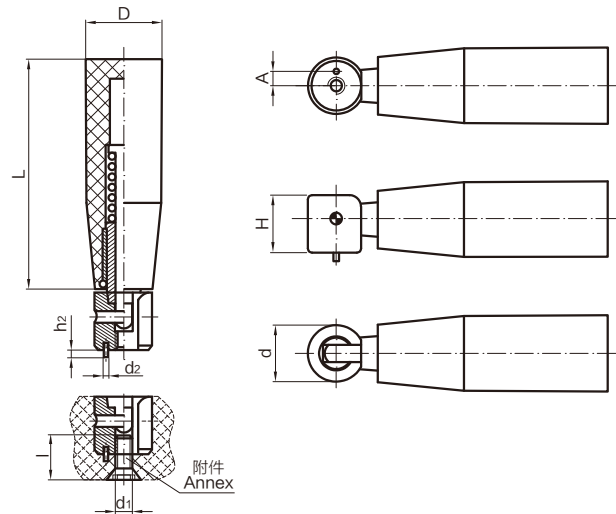


SK7010可折手柄 Fold-down handles



材料：黑色亚光聚酰胺手柄体、黑色氧化处理的钢质手柄头与转轴
Material: Matte polyamide resin body, Black oxide treatment steel handle head and shaft

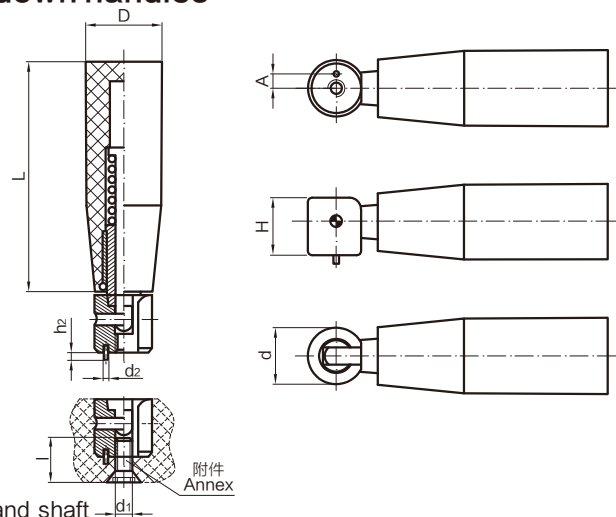
注：“P” 如图所示的定位销结构，可以定制非标的定位销结构

“P” indicates the torque pin structure, customized nonstandard structures of torque pin on request

“F” 带附件合金钢平头内六角螺钉 $d_1 \times l$ “F” with annex alloy steel HEX countersunk head screw $d_1 \times l$

代号Code	规格Description	L	d	H	D	A	d2	h2	d1	l
7010P344F	50 × 16	50	Φ16	15	Φ21	5	Φ2	3	M4	10
7010P444F	63 × 16	63	Φ16	15	Φ23	5	Φ2	3	M4	10
7010P466F	63 × 20	63	Φ20	20	Φ23	5	Φ2	3	M6	16
7010P566F	80 × 20	80	Φ20	20	Φ25	5	Φ2	3	M6	16
7010P666F	100 × 20	100	Φ20	20	Φ27	5	Φ2	3	M6	20

SK7010SS不锈钢可折手柄 Stainless steel fold-down handles



材料：黑色亚光聚酰胺手柄体、不锈钢手柄头与转轴、

Material: Matte polyamide resin body, Stainless steel handle head and shaft

注：“P” 如图所示的定位销结构，可以定制非标的定位销结构

“P” indicates the torque pin structure, customized nonstandard structures of torque pin on request

“F” 带附件不锈钢平头内六角螺钉 $d_1 \times l$ “F” with annex stainless steel HEX countersunk head screw $d_1 \times l$

代号Code	规格Description	L	d	H	D	A	d2	h2	d1	l
7010SSP344F	50 × 16	50	Φ16	15	Φ21	5	Φ2	3	M4	10
7010SSP444F	63 × 16	63	Φ16	15	Φ23	5	Φ2	3	M4	10
7010SSP466F	63 × 20	63	Φ20	20	Φ23	5	Φ2	3	M6	16
7010SSP566F	80 × 20	80	Φ20	20	Φ25	5	Φ2	3	M6	16
7010SSP666F	100 × 20	100	Φ20	20	Φ27	5	Φ2	3	M6	20