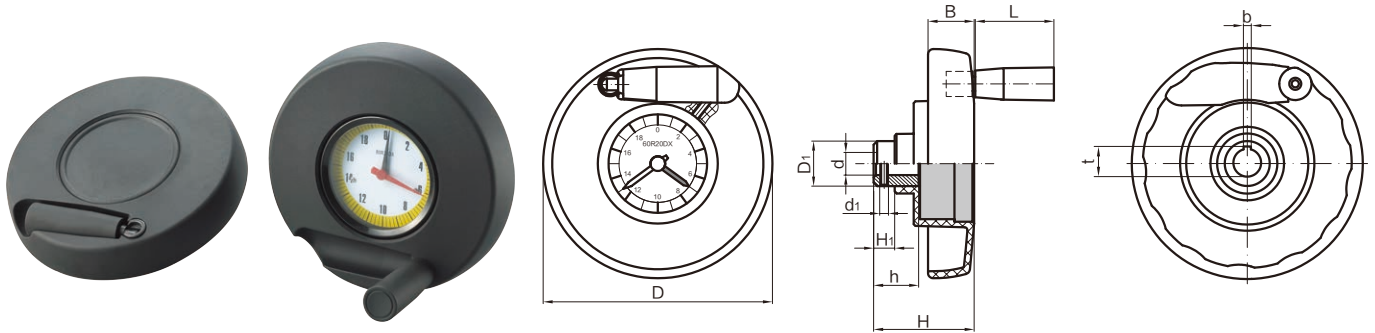


**SK7328带表平面手轮 Handwheels with position gauge**



材料：黑色亚光聚酰胺、黑色氧化处理的钢质轮毂

Material: Matte polyamide resin, Black oxidation treatment steel hub

注：配SK7010可折手柄 Match SK7010 fold-down handles

代号 Code		规格 Description	D	d	h	H	D <sub>1</sub>	H <sub>1</sub>	d <sub>1</sub>	B	L	b	t
带SK60 With SK60 gauge	带塑盖 With cover	133 × 12 × 50	Φ133	Φ12	27.5	61	Φ24	12	M5	26	50	4	13.8
SK7328445/R□□□□	SK7328445												
带SK80 With SK80 gauge	带塑盖 With cover	163 × 16 × 63	Φ163	Φ16	32	71	Φ32	15	M6	33	63	5	18.3
SK7328666/R□□□□	SK7328666												