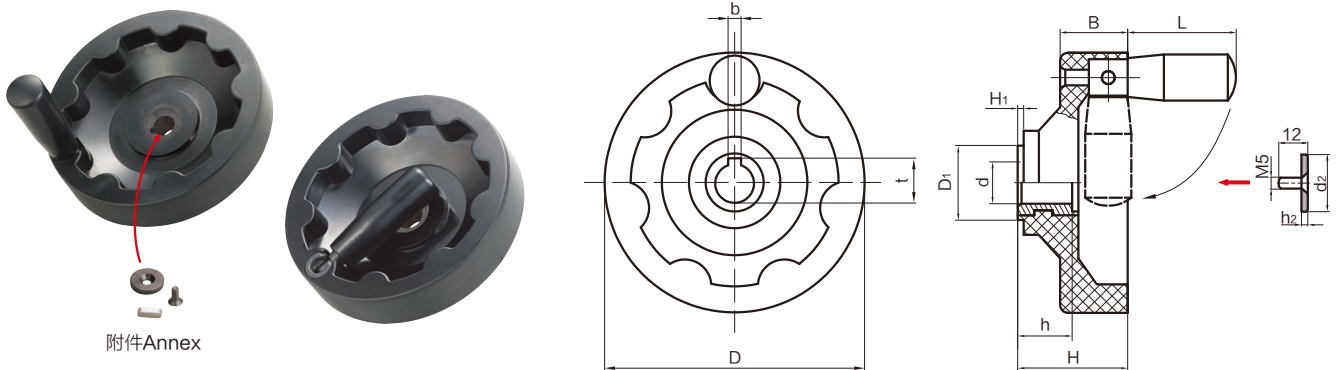


SK7307D短轴内波纹手轮 Short insert inner corrugated handwheels

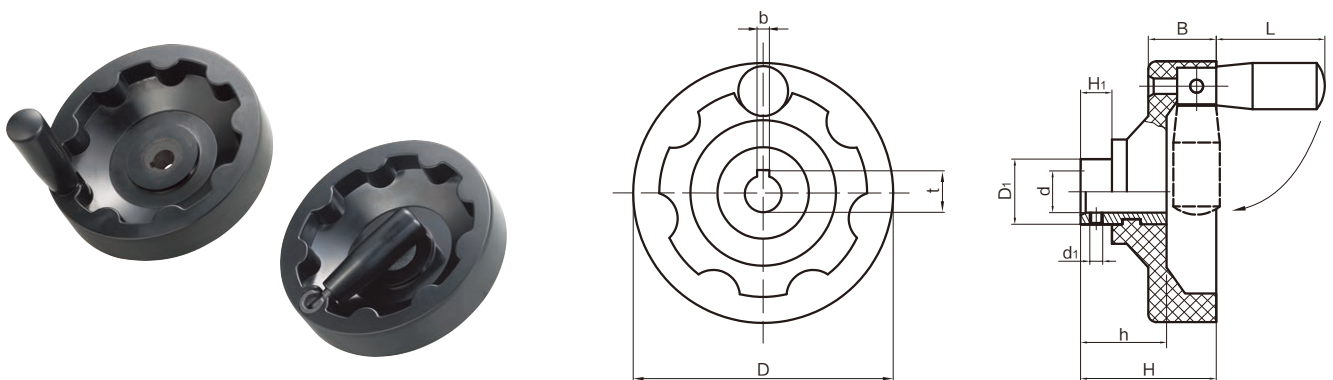


材料：黑色亮光热固性塑料、黑色氧化处理的钢质轮毂  
Material: Duroplast, Black oxidation treatment steel hub  
注：配SK7011可折手柄 Match SK7011 fold-down handles

“F”带附件轴端挡圈、平键、平头内六角螺钉 “F” with annex washers, carbon steel flat keys, counter sunk screw

代号 Code	规格 Description	D	d	h	H	D <sub>1</sub>	H <sub>1</sub>	B	L	b	t	d <sub>2</sub>	h <sub>2</sub>
7307D345F	100 × 12 × 50	Φ100	Φ12	18	42	Φ25	1.5	26	50	4	13.8	Φ20	4
7307D446F	125 × 12 × 63	Φ125	Φ12	18	43	Φ28	1.5	30	63	4	13.8	Φ20	4
7307D667F	160 × 16 × 80	Φ160	Φ16	20	50	Φ32	1.5	32	80	5	18.3	Φ22	4
7307D877F	200 × 18 × 80	Φ200	Φ18	25	55	Φ36	1.5	34	80	6	20.8	Φ25	4

SK7307L长轴内波纹手轮 Long insert inner corrugated handwheels



材料：黑色亮光热固性塑料、黑色氧化处理的钢质轮毂  
Material: Duroplast, Black oxidation treatment steel hub  
注：配SK7011可折手柄 Match SK7011 fold-down handles

代号 Code	规格 Description	D	d	h	H	D <sub>1</sub>	H <sub>1</sub>	d <sub>1</sub>	B	L	b	t
7307L345	100 × 12 × 50	Φ100	Φ12	33	52	Φ25	12	M5	26	50	4	13.8
7307L446	125 × 12 × 63	Φ125	Φ12	35	56	Φ28	15	M5	30	63	4	13.8
7307L667	160 × 16 × 80	Φ160	Φ16	38	62	Φ32	15	M6	32	80	5	18.3
7307L877	200 × 18 × 80	Φ200	Φ18	43	66	Φ36	15	M8	34	80	6	20.8